

Emergency sign type Robust

Design: SafeEXIT A/S

Application:

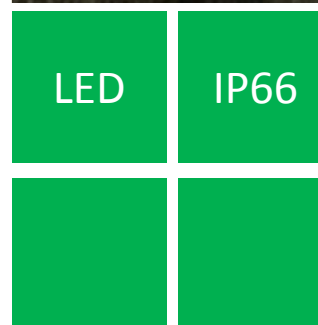
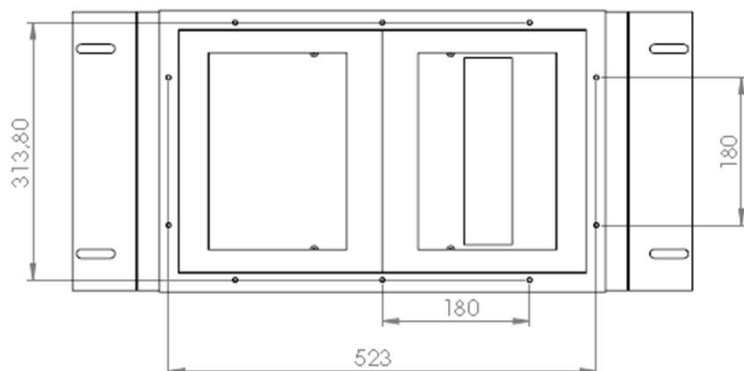
Emergency sign for roadtunnels.

Mechanical data:

Housing: Stainless steel AISI 316L
Pictogram : Clear makrolon with foil.
Cableglads: 2 x M25
IP class: IP66
Isolations class: Class I or II
Mounting: Direct on wall or cable ladder
Viewing distance: 50 meter
Ambient temperature: -20°C - +40°C

Electrical data:

Powersupply: 230AC/DC 50 Hz
LED driver: Prim/sec. 240AC/DC - 12DC
Total power consumption: 8 watt.
Light source: 2 x LED strips
Fuse: 1 x 2A T 5X20
Terminals: 6/10mm² 2 x L1, L2, L3, N, PE/FE



Herstedoestervej 19
DK - 2600 Glostrup
Telephone +45 43455010
Telefax +45 43455011
www.safeexit.dk

SAFEEXIT^{a/s}

1234