

# Emergency sign type Robust

Design: SafeEXIT A/S

## Application:

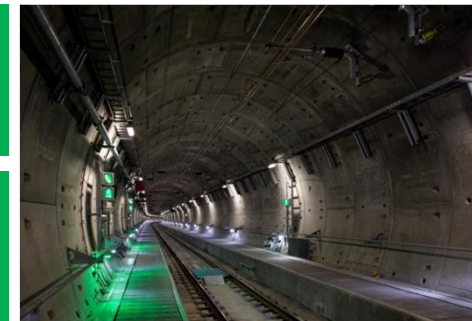
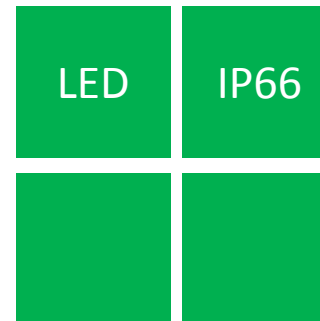
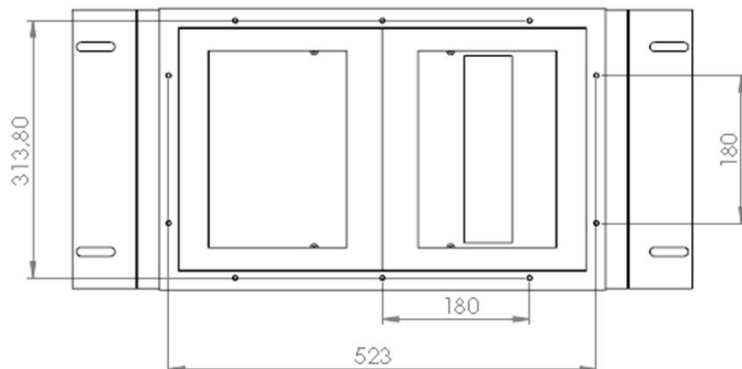
Emergency sign for metro- and traintunnels.

## Mechanical data:

|                      |                                |
|----------------------|--------------------------------|
| Housing:             | Stainless steel AISI 316L      |
| Pictogram:           | Clear makrolon with foil       |
| Cableglands:         | 2 x M25                        |
| IP class:            | IP66                           |
| Isolations class:    | Class I or II                  |
| Mounting:            | Direct on wall or cable ladder |
| Viewing distance:    | 50 meters                      |
| Ambient temperature: | -20°C - +40°C                  |

## Electrical data:

|                          |  |
|--------------------------|--|
| Powersupply:             | 230AC/DC 50 Hz                               |
| LED driver:              | Prim/sec. 240AC/DC - 12DC                    |
| Total power consumption: | 8 watt.                                      |
| Light source:            | 2 x LED strips                               |
| Fuse:                    | 1 x 2A T 5X20                                |
| Terminals:               | 6/10mm <sup>2</sup> 2 x L1, L2, L3, N, PE/FE |



Herstedøstervej 19  
DK - 2600 Glostrup  
Telephone +45 43455010  
Telefax +45 43455011  
www.safeexit.dk

SAFEEXIT<sup>a/s</sup>

1234