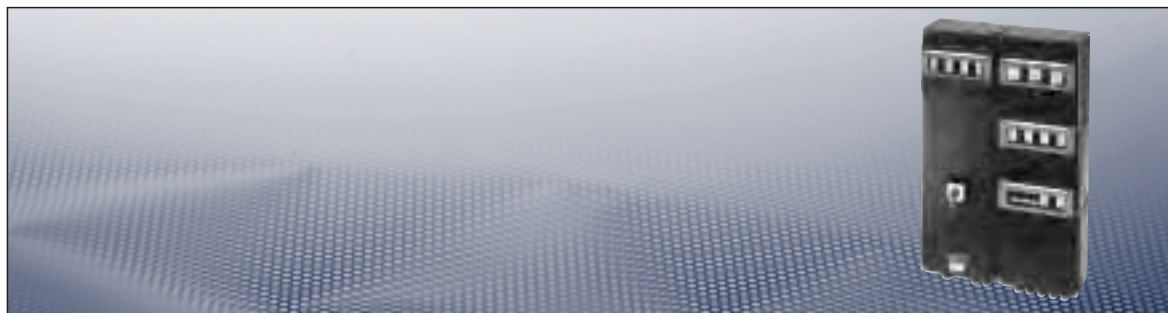


**MCB distribution for lighting circuits,  
heating circuits, socket distributions**



**Technical data**

MCB distribution for lighting circuits   heating circuits   socket distributions	
Marking to 94/9/EC	Ⓔ II 2 G Ex de ia/lb m [ia/lb] IIC T6, T5, T4 / Ⓔ II 2 D Ex tD A21 IP66/IP65 T95 °C
EC Type Examination Certificate	PTB 99 ATEX 1044
Permissible ambient temperature	-20 °C to +40 °C -55 °C to +55 °C (option)
IECEX Certificate of Conformity	IECEX BKI 06.0007
Marking accd. to IECEX	Ex de ia/lb m [ia/lb] T4 ... T6 Ex tD A21 IP66 T80 °C
Rated voltage	690 V
Rated current	180 A
Insulation class	I
Terminal cross-section	up to 240 mm <sup>2</sup>
Degree of protection acc. to EN 60529	IP65
Weight	see ordering details
Enclosure material	Glass-fibre reinforced polyester
Enclosure colour	black

**Ordering details MCB distribution for lighting circuits**

Version	Type	MCB 2-pole	Terminal cross-section	Cable glands	Weight approx.	Order No.
40 A	1	8 x 16 A	10 mm <sup>2</sup>	1 x M40 (17 - 28 mm Ø) 8 x M25 ( 8 - 17 mm Ø)	20 kg	<b>EXKO 214 600 G 0000</b>
80 A	2	12 x 16 A	16 mm <sup>2</sup>	1 x M50 (22 - 35 mm Ø) 12 x M25 ( 8 - 17 mm Ø)	32 kg	<b>EXKO 214 600 G 0001</b>
80 A	3	24 x 16 A	16 mm <sup>2</sup>	1 x M50 (22 - 35 mm Ø) 24 x M25 ( 8 - 17 mm Ø)	56 kg	<b>EXKO 214 600 G 0002</b>

**Ordering details MCB distribution for heating circuits**

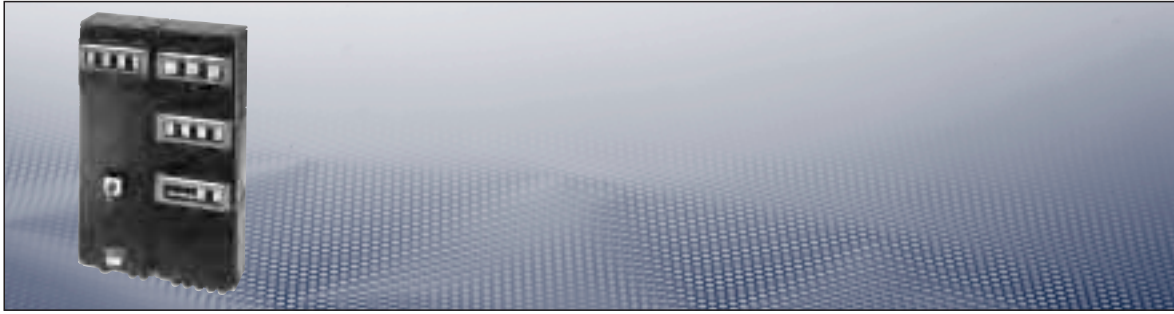
Version	Type	MCB with RCD 2-pole	Terminal cross-section	Cable glands	Weight approx.	Order No.
40 A	1	8 x 16 A, 30 mA	10 mm <sup>2</sup>	1 x M40 (17 - 28 mm Ø) 8 x M25 ( 8 - 17 mm Ø)	20 kg	<b>EXKO 214 600 G 0003</b>
80 A	2	12 x 16 A, 30 mA	16 mm <sup>2</sup>	1 x M50 (22 - 35 mm Ø) 12 x M25 ( 8 - 17 mm Ø)	32 kg	<b>EXKO 214 600 G 0004</b>
80 A	3	24 x 16 A, 30 mA	16 mm <sup>2</sup>	1 x M50 (22 - 35 mm Ø) 24 x M25 ( 8 - 17 mm Ø)	56 kg	<b>EXKO 214 600 G 0005</b>

**Ordering details MCB distribution for sockets**

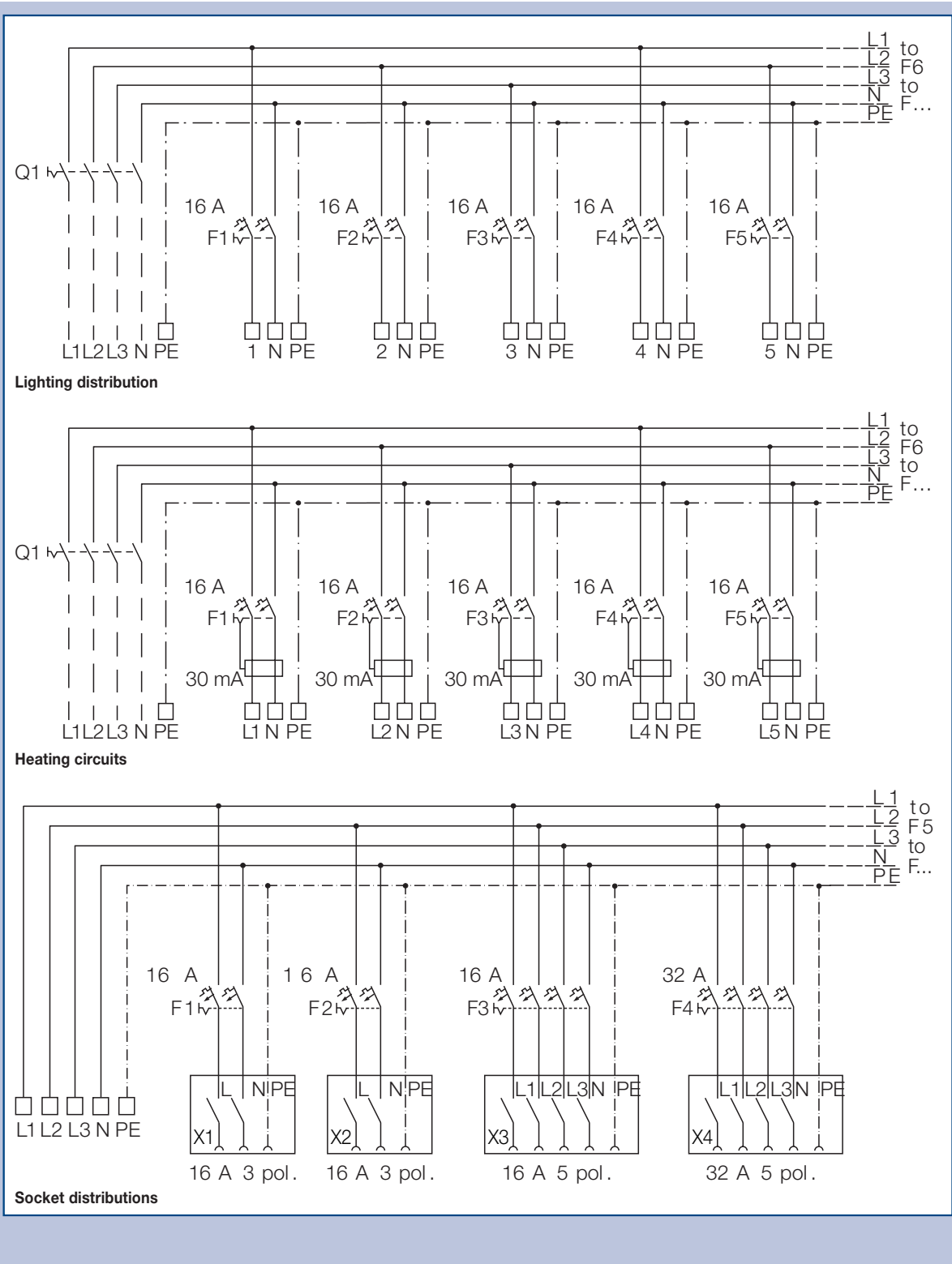
Version	Type	Socket outlets	Cable glands	Weight approx.	Order No.
2 x 16 A	1	2 x 16 A 3-pole	1 x M40 (17 - 28 mm Ø)	10 kg	<b>EXKO 233 800 C 0001</b>
2 x 16 A 1 x 32 A	2	1 x 16 A 3-pole 1 x 16 A 5-pole			
		1 x 32 A 5-pole	1 x M40	20 kg	<b>EXKO 233 800 C 0002</b>
4 x 16 A	3	2 x 16 A 3-pole 2 x 16 A 5-pole	1 x M40	25 kg	<b>EXKO 233 800 C 0003</b>

1  
2  
3  
4  
5  
6  
7  
8  
9  
10  
11  
12

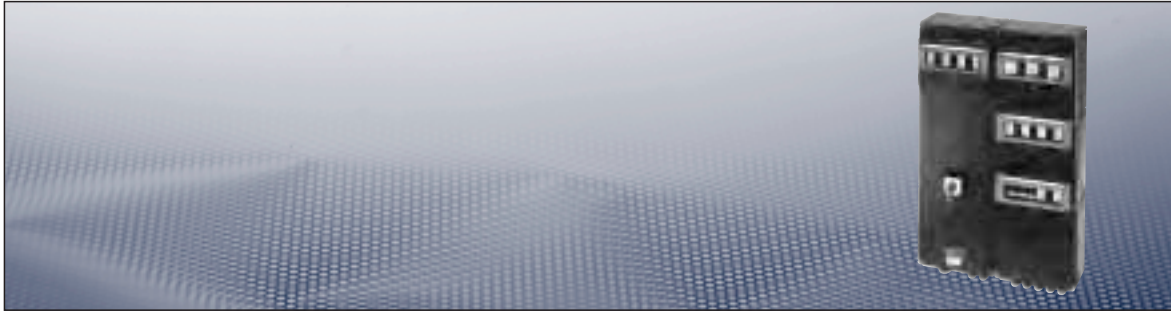
**MCB distribution for lighting circuits,  
heating circuits, socket distributions**



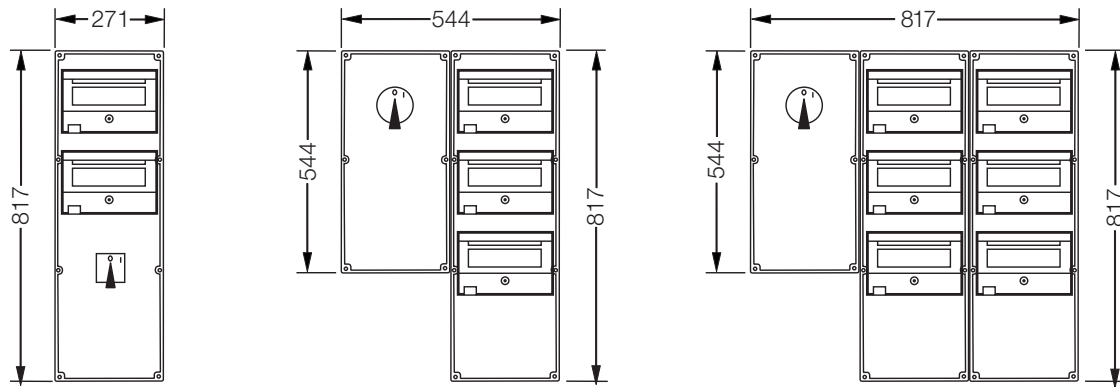
**Wiring diagram lighting distribution | heating circuit distribution | socket distribution**



**MCB distribution for lighting circuits,  
heating circuits, socket distributions**



**Dimension drawing lighting distribution | heating circuit distribution | socket distribution**

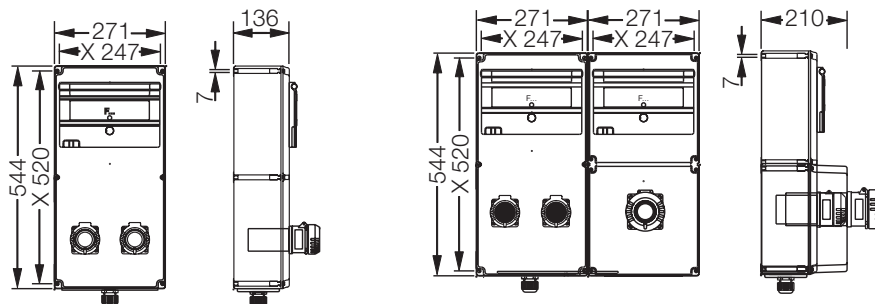


Type 1

Type 2

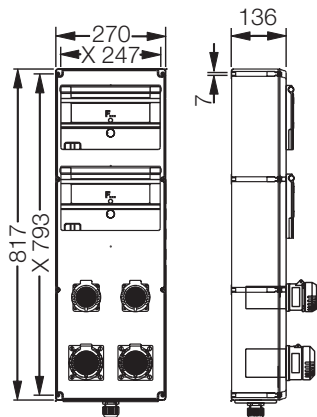
Type 3

Lighting distribution/heating circuit distribution



Type 1

Type 2



Type 3

Socket distributions

X = fixing dimension

Dimensions in mm