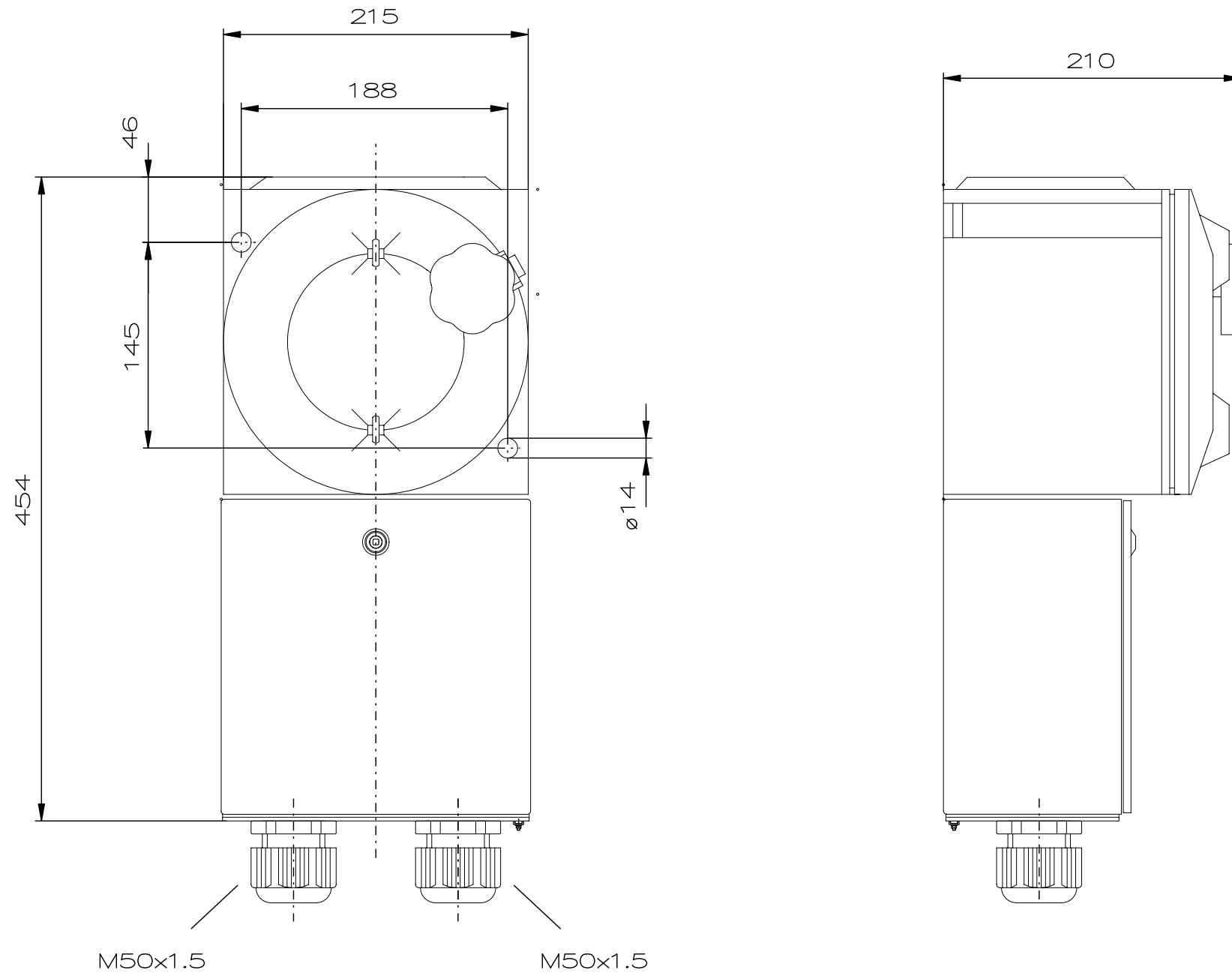




Designed with CAD-System ESP32



"Schutzvermerk nach DIN 34 beachten" / "Copyright reserved"

Description: Ex-power switch 63 A 3-pole
Beschreibung: Ex-Leistungsschalter 63 A 3-polig



| | | | | | | | |
|---------------|--------------------|-------------|------------|--|--------------------|--------------------------------------|-----------------------------|
| | | | | | Date/ Datum | 30.10.2008 | Material-No./ Material-Nr.: |
| | | | | | Expert/ Bearbeiter | Röther | |
| Rev.st/ Zust. | Revision/ Änderung | Date/ Datum | Name/ Name | | 1:4 | Dimension unit: mm Maßeinheit: mm | EXKO731813A0001 |