

dTLS 85070

GHG 664

Technical data

GHG 664

Marking to 94/9/EC	Ⓔ II 2 G Ex de IIC T6
EC-Type Examination Certificate	PTB 07 ATEX 2002 X
Permissible ambient temperature	-5 °C to +40 °C
Rated voltage	220 - 240 V AC
Rated frequency	50 - 60 Hz
Output voltage	230 V AC
Power consumption (charging operation)	< 40 VA
Nominal output	max. 80 VA
Circuit	electronic converter
Insulation class	I
Battery	2 x 12 V, 12 Ah
Rated operating duration (emergency operation)	1.5 h
Charging duration (> 90 % C)	< 24 h
Degree of protection acc. to EN 60529	IP66
Weight	approx. 48 kg (incl. battery)
Enclosure material	light alloy with powder coating, grey

Floodlight dTLS 85070 P

Marking to 94/9/EC	Ⓔ II 2 G Ex de IIC T4
EC-Type Examination Certificate	DMT 03 ATEX E 039
Permissible ambient temperature	-20 °C to +50 °C
Rated voltage	220 - 240 V, 50 - 60 Hz
Connecting terminals	L + N + PE; max. 2.5 mm ²
Insulation class	I
Lamp/Illuminant	High pressure sodium lamp HST-DE 70 W
Lamp cap	RX7s
Rated luminous flux ¹⁾	6800 lm
Light efficiency in operation	72 %
Degree of protection acc. to EN 60529	IP65
Cable glands	1 x M25 x 1.5 for cables from Ø 8 - 17 mm 1 x M25 x 1.5 with blanking plug
Weight	approx. 18 kg
Enclosure material	light alloy with powder coating, grey
Light transmitting cover	Borosilicate glass

¹⁾ depends on lamp

Ordering details

Type	Order No.
Emergency Unit (GHG 664 incl. battery plus dTLS 85070 P)	GHG 660 1915 R0001

Lamps and fixing accessories are not included

Accessories

Mounting bracket L218

Type	Order No.
Mounting bracket L218 für dTLS 85070 P	GHG 690 1913 R0001

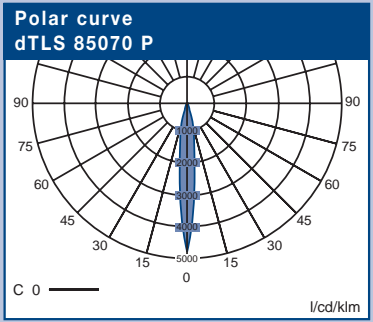
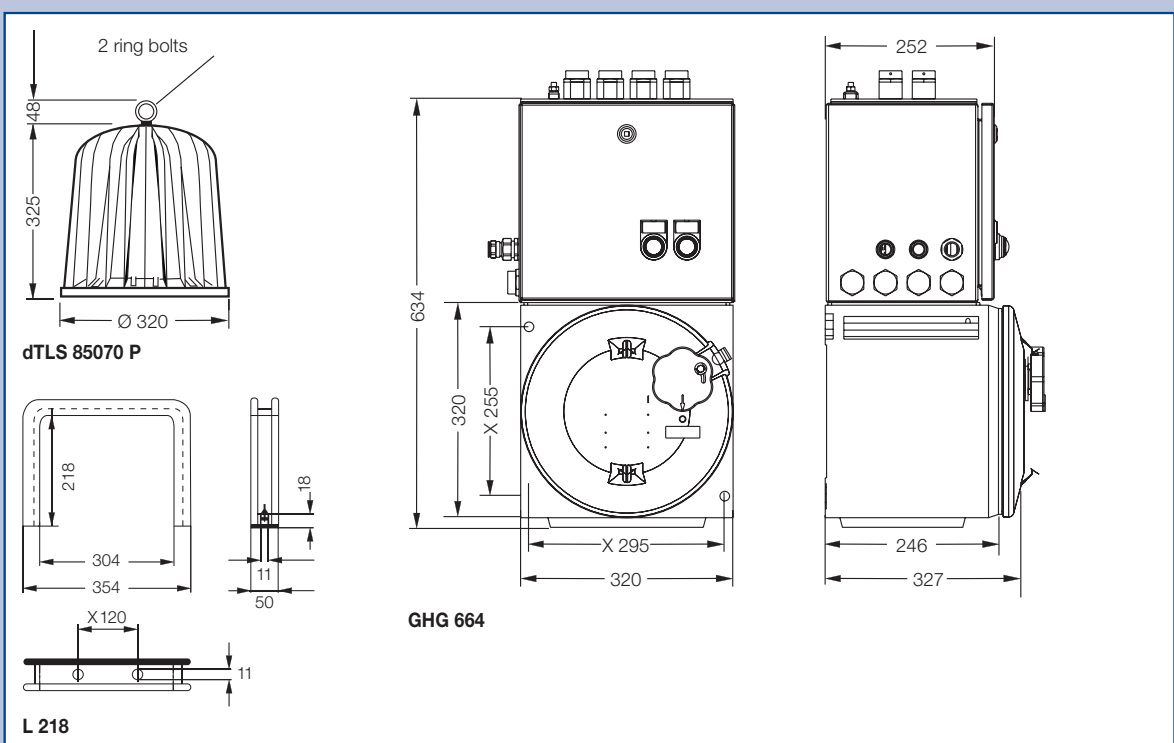
| Emergency Unit |



GHG 664

dTLS 85070

Dimension drawing | Polar curve



Cooper Crouse-Hinds © 2009 - all rights reserved

Dimensions in mm