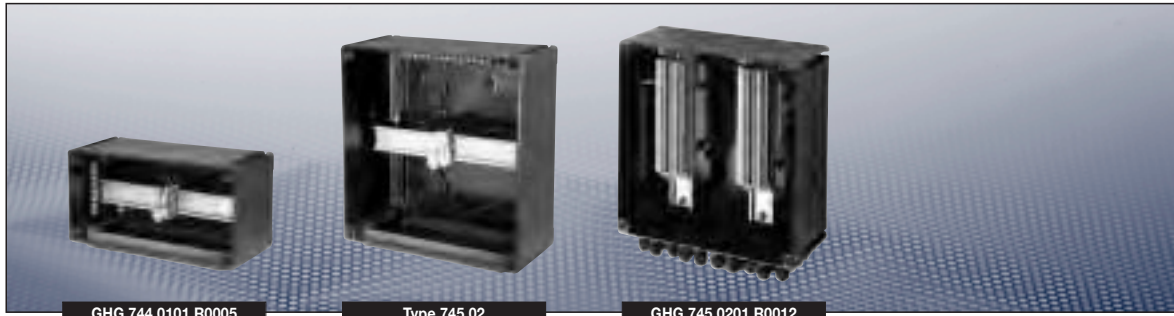


Ex-e/Ex-i terminal box



Technical data

GHG 744 01 up to 40 terminals | GHG 745 02 up to 82 terminals

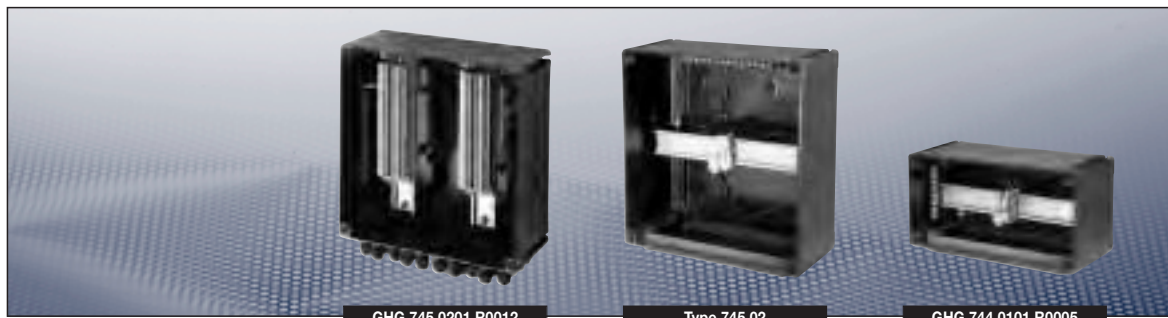
| | |
|-------------------------------------|---|
| Marking to 94/9/EC | Ⓔ II 2 G Ex de ia/ib [ia/ib] m IIC T4 / Ⓔ II 2 D Ex tD A21 IP66 T 80 °C |
| EC-Type Examination Certificate | PTB 99 ATEX 1044 |
| IECEX certification of conformity | IECEX BK1 07.0023 |
| Marking accd. to IECEX | Ex ed ia/ib m [ia/ib] IIC T4 – T6 Ex tD A21 IP66 T80 °C |
| Permissible ambient temperature | –20 °C to +40 °C –55 °C to +55 °C (option) |
| Rated voltage | 690 V |
| Rated current | Depends on terminal mounting |
| Insulation class | I |
| Degree of protection accd. EN 60529 | IP66 |
| Enclosure material | Glass-fibre reinforced polyester |
| Enclosure colour | black |

GHG 744 01 up to 31 terminals

| | | | | | | | | |
|--|--------------------------|-------------------|-------------------|--------------------|--------------------|--------------------|--------------------|--------------------|
| Connecting terminals | up to 25 mm ² | | | | | | | |
| Dimensions (L x W x H) | 271 x 134 x 136 mm | | | | | | | |
| Weight | approx. 1.5 kg | | | | | | | |
| Drillings/cable glands | M12 | M16 | M20 | M25 | M32 | M40 | M50 | M63 |
| Max. number down | 60 | 36 | 26 | 18 | 10 | 7 | 4 | 3 |
| Max. number flange plastic | 46 | 25 | 20 | 11 | 8 | 4 | 3 | 2 |
| Max. number flange metal | – | – | 11 | 9 | 5 | 3 | 3 | 2 |
| Terminal mounting space on the terminal rail | 1 x 230 mm | | | | | | | |
| | 2.5 mm ² | 4 mm ² | 6 mm ² | 10 mm ² | 16 mm ² | 25 mm ² | 35 mm ² | 35 mm ² |
| Max. number of terminals acc. to certification | 31 | 31 | 24 | 24 | 23 | 15 | 7 | 7 |

GHG 745 02 up to 82 terminals

| | | | | | | | | | |
|--|--------------------------|-------------------|-------------------|--------------------|--------------------|--------------------|--------------------|--------------------|--------------------|
| Connecting terminals | up to 70 mm ² | | | | | | | | |
| Dimensions (L x W x H) | 271 x 270 x 36 mm | | | | | | | | |
| Weight | approx. 2.5 kg | | | | | | | | |
| Drillings/cable glands | M12 | M16 | M20 | M25 | M32 | M40 | M50 | M63 | M63 |
| Max. number down | 60 | 36 | 26 | 18 | 10 | 7 | 4 | 3 | 3 |
| Max. number flange plastic | 46 | 25 | 20 | 11 | 8 | 4 | 3 | 2 | 2 |
| Max. number flange metal | – | – | 11 | 9 | 5 | 3 | 3 | 2 | 2 |
| Terminal mounting space on the terminal rail | 2 x 230 mm | | | | | | | | |
| | 2.5 mm ² | 4 mm ² | 6 mm ² | 10 mm ² | 16 mm ² | 25 mm ² | 35 mm ² | 50 mm ² | 70 mm ² |
| Max. number of terminals acc. to certification | 38 | 38 | 29 | 29 | 23 | 16 | 15 | 9 | 9 |

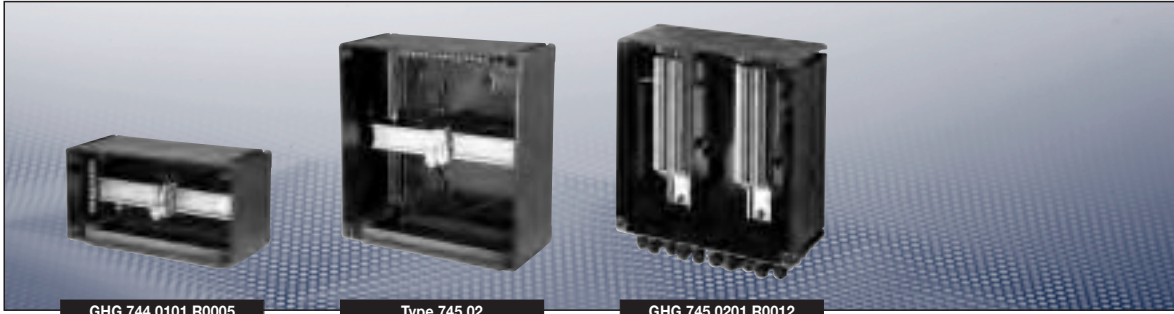


Ordering details

| Design | Cable gland | No. of Terminals | Order No. |
|--|--|-----------------------------------|---------------------------|
| Type 744 01 up to 40 terminals assembled with screw terminals 2 x 4 mm ² + PE-rail 4 mm ² | | | |
| Ex-e | 1 x plastic flange down without drilling | 1 x Ex-e ¹⁾ 7 x PE | GHG 744 0101 R0005 |
| Type 745 02 up to 82 terminals assembled with screw terminals 2 x 2.5 mm ² + PE/PA-rail 4 mm ² | | | |
| Ex-e | 1 x plastic flange down without drilling | 1 x Ex-e ¹⁾ 14 x PE | GHG 745 0201 R0004 |
| Type 745 02 up to 82 terminals assembled with screw terminals 2 x 2.5 mm ² + PE/PA-rail 4 mm ² | | | |
| Ex-i | 1 x M40 for cable Ø 22-35 mm 8 x M32 for 4 cable Ø 4.5-7 mm | 60 x Ex-i 27 x PE/PA | GHG 745 0201 R0012 |
| Ex-e | 1 x M40 for cable Ø 22-35 mm 30 x M16 for cable Ø 5.5-10 mm | 60 x Ex-e 27 x PE/PA | GHG 745 0201 R0013 |
| Ex-i | 1 x M40 for cable Ø 22-35 mm 30 x M16 for cable Ø 5.5-10 mm | 60 x Ex-i 27 x PE/PA | GHG 745 0201 R0014 |
| Ex-e | 1 x M40 for cable Ø 22-35 mm 24 x M20 for cable Ø 5.5-13 mm | 60 x Ex-e 27 x PE/PA | GHG 745 0201 R0015 |
| Ex-i | 1 x M40 for cable Ø 22-35 mm 24 x M20 for cable Ø 5.5-13 mm | 60 x Ex-i 27 x PE/PA | GHG 745 0201 R0021 |
| Type 745 02 up to 82 terminals assembled with screwless terminals 2 x 2.5 mm ² + PE/PA-rail 4 mm ² | | | |
| Ex-i | 1 x M40 for cable Ø 22-35 mm 8 x M32 for 4 cable Ø 4.5-7 mm | 60 x Ex-i 27 x PE/PA | GHG 745 0201 R0016 |
| Ex-e | 1 x M40 for cable Ø 22-35 mm 30 x M16 for cable Ø 5.5-10 mm | 60 x Ex-e 27 x PE/PA | GHG 745 0201 R0017 |
| Ex-i | 1 x M40 for cable Ø 22-35 mm 30 x M16 for cable Ø 5.5-10 mm | 60 x Ex-i 27 x PE/PA | GHG 745 0201 R0018 |
| Ex-e | 1 x M40 for cable Ø 22-35 mm 24 x M20 for cable Ø 5.5-13 mm | 60 x Ex-e 27 x PE/PA | GHG 745 0201 R0020 |
| Ex-i | 1 x M40 for cable Ø 22-35 mm 24 x M20 for cable Ø 5.5-13 mm | 60 x Ex-i 27 x PE/PA | GHG 745 0201 R0022 |

¹⁾ according to type examination certificate individual extensible
Other types on request

Ex-e/Ex-i terminal box



GHG 744 0101 R0005

Type 745 02

GHG 745 0201 R0012

Accessories

Mounting plate for junction box 744 01

| Type | Application | Fixing method | Order No. |
|--------------------------|---------------------------|----------------|--------------------|
| Size 3 | Wall mounting | screw mounting | GHG 610 1953 R0107 |
| Size 3 | Trellis mounting | screw mounting | GHG 610 1953 R0109 |
| Size 3 | Pipe mounting | screw mounting | GHG 610 1953 R0108 |
| Protective canopy Size 3 | for mounting plate size 3 | | GHG 610 1955 R0104 |

Mounting plate for junction box 745 02

| Type | Application | Fixing method | Order No. |
|--------------------------|---------------------------|----------------------------|--------------------|
| Size 3 | Pipe mounting | screw mounting on 2 plates | GHG 610 1953 R0108 |
| Protective canopy Size 3 | for mounting plate size 3 | | GHG 610 1955 R0104 |

Details for accessories see page 7.78 pp.

Dimension drawing

