

GHG 723 2001 R0002

GHG 723 1001 R0002

GHG 723 0001 R0002

Technical data

Type 723 00 | 723 10 | 723 20 up to 96 terminals

Marking to 94/9/EC	Ⓔ II 2 G Ex de ia/ib [ia/ib] m IIC T4 / Ⓔ II 2 D Ex tD A21 IP66 T 80 °C
Permissible ambient temperature	-20 °C to +40 °C -55 °C to +55 °C (option)
EC-Type Examination Certificate	PTB 99 ATEX 1044
IECEX certification of conformity	IECEX BKI 07.0034
Marking accd. to IECEX	Ex ed ia/ib [ia/ib] IIC T4 – T6 Ex tD A21 IP66 T80 °C
Rated voltage	up to 690 V
Rated current	depends on terminal mounting
Degree of EN 60529	IP66
Enclosure material	light alloy die-casting (AlSi)
Enclosure colour	light grey

Type 723 00 up to 24 terminals

Terminal cross section	max. 35 mm ²						
Weight	approx. 1.41 kg						
Max. number drillings/cable glands down	M16	M20	M25	M32	M40	M50	
	8	4	3	–	–	–	
Terminal mounting space on the terminal rail	1 x 185 mm						
Max. number of terminals acc. to certification	2.5 mm ²	4 mm ²	6 mm ²	10 mm ²	16 mm ²	25 mm ²	35 mm ²
	24	24	18	18	14	–	–

Type 723 10 up to 82 terminals

Terminal cross section	max. 50 mm ²						
Weight	approx. 3.84 kg						
Drillings/cable glands	M16	M20	M25	M32	M40	M50	
Max. number down	22	10	7	4	3	2	
Terminal mounting space on the terminal rail	2 x 242 mm						
Max. number of terminals acc. to certification	2.5 mm ²	4 mm ²	6 mm ²	10 mm ²	16 mm ²	25 mm ²	35 mm ²
	2 x 41	2 x 34	2 x 26	2 x 20	1 x 17	1 x 17	1 x 14

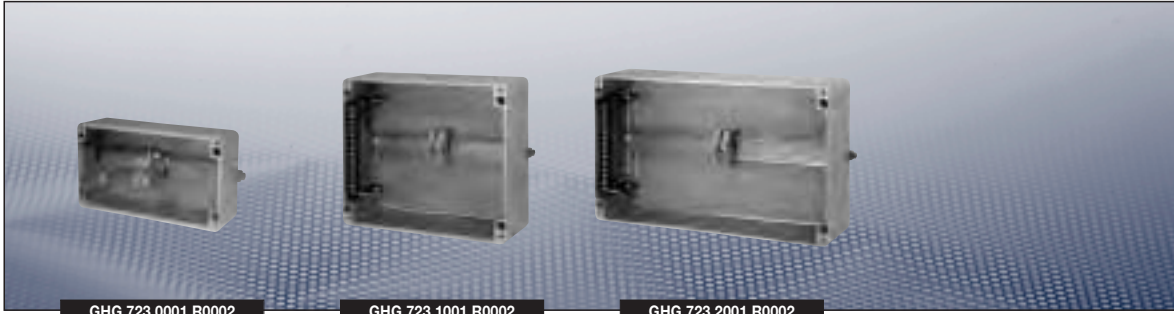
Type 723 20 up to 96 terminals

Terminal cross section	max. 95 mm ²						
Weight	approx. 4.87 kg						
Drillings/cable glands	M16	M20	M25	M32	M40	M50	
Max. number down	30	18	10	6	5	4	
Terminal mounting space on the terminal rail	3 x 362 mm						
Max. number of terminals acc. to certification	2.5 mm ²	4 mm ²	6 mm ²	10 mm ²	16 mm ²	25 mm ²	35 mm ²
	2 x 48	2 x 48	2 x 36	2 x 36	1 x 28	1 x 23	1 x 22

Cooper Crouse-Hinds © 2009 - all rights reserved

1
2
3
4
5
6
7
8
9
10
11
12

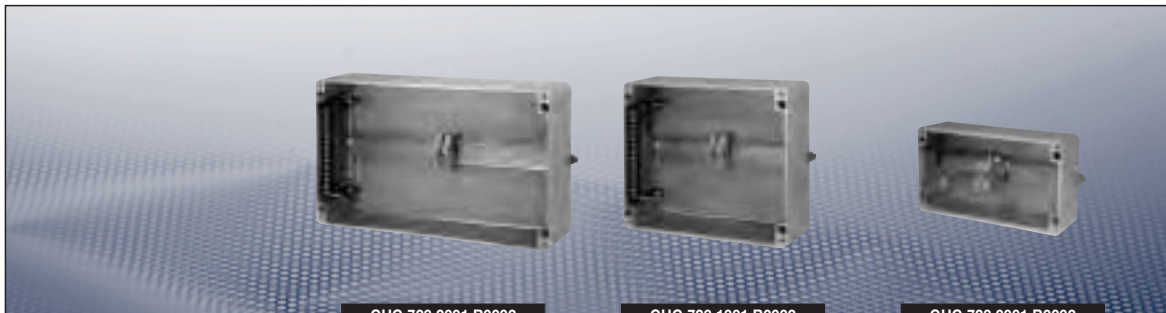
Ex-e/Ex-i terminal box



Ordering details

Design	Cable gland	No. of Terminals	Order No.
Type 723 00 mounted with screw terminals 2 x 2.5 mm ² + PE-terminal 4 mm ²			
Ex-e	without drilling	1 x Ex-e ¹⁾ /1 x PE	GHG 723 0001 R0002
Type 723 10 mounted with screw terminals 2 x 2.5 mm ² + PE-terminal 4 mm ²			
Ex-e	without drilling	1 x Ex-e ¹⁾ /14 x PE	GHG 723 1001 R0002
Type 723 20 mounted with screw terminals 2 x 2.5 mm ² + PE-terminal 4 mm ²			
Ex-e	without drilling	1 x Ex-e ¹⁾ /14 x PE	GHG 723 2001 R0002

¹⁾ according to type examination certificate individual extensible

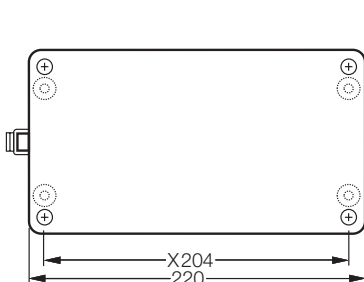


GHG 723 2001 R0002

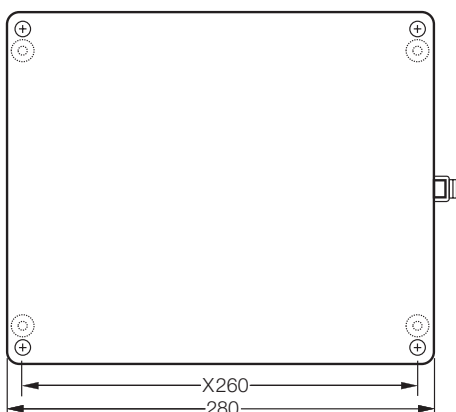
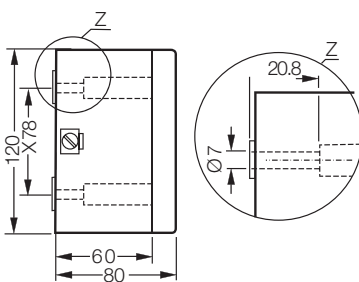
GHG 723 1001 R0002

GHG 723 0001 R0002

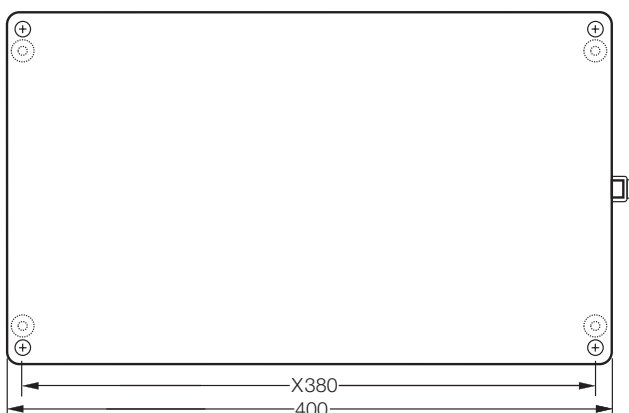
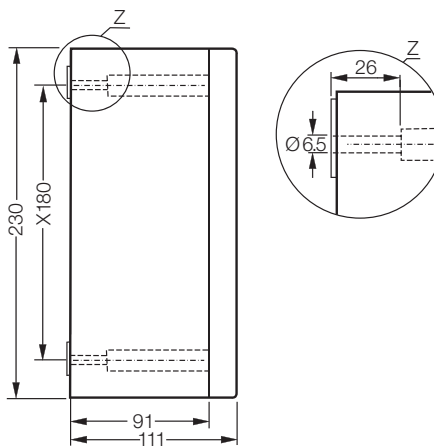
Dimension drawing



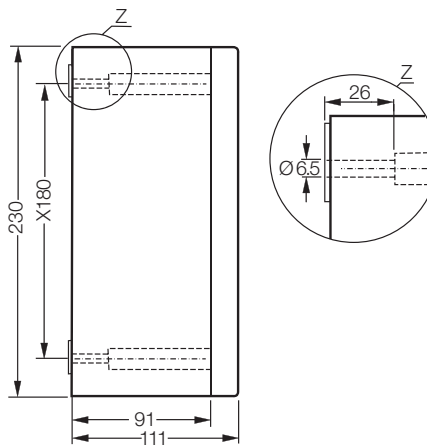
Type 723 00



Type 723 10



Type 723 20



X = mounting dimension

Cooper Crouse-Hinds © 2009 - all rights reserved

Dimensions in mm

1
2
3
4
5
6
7
8
9
10
11
12