

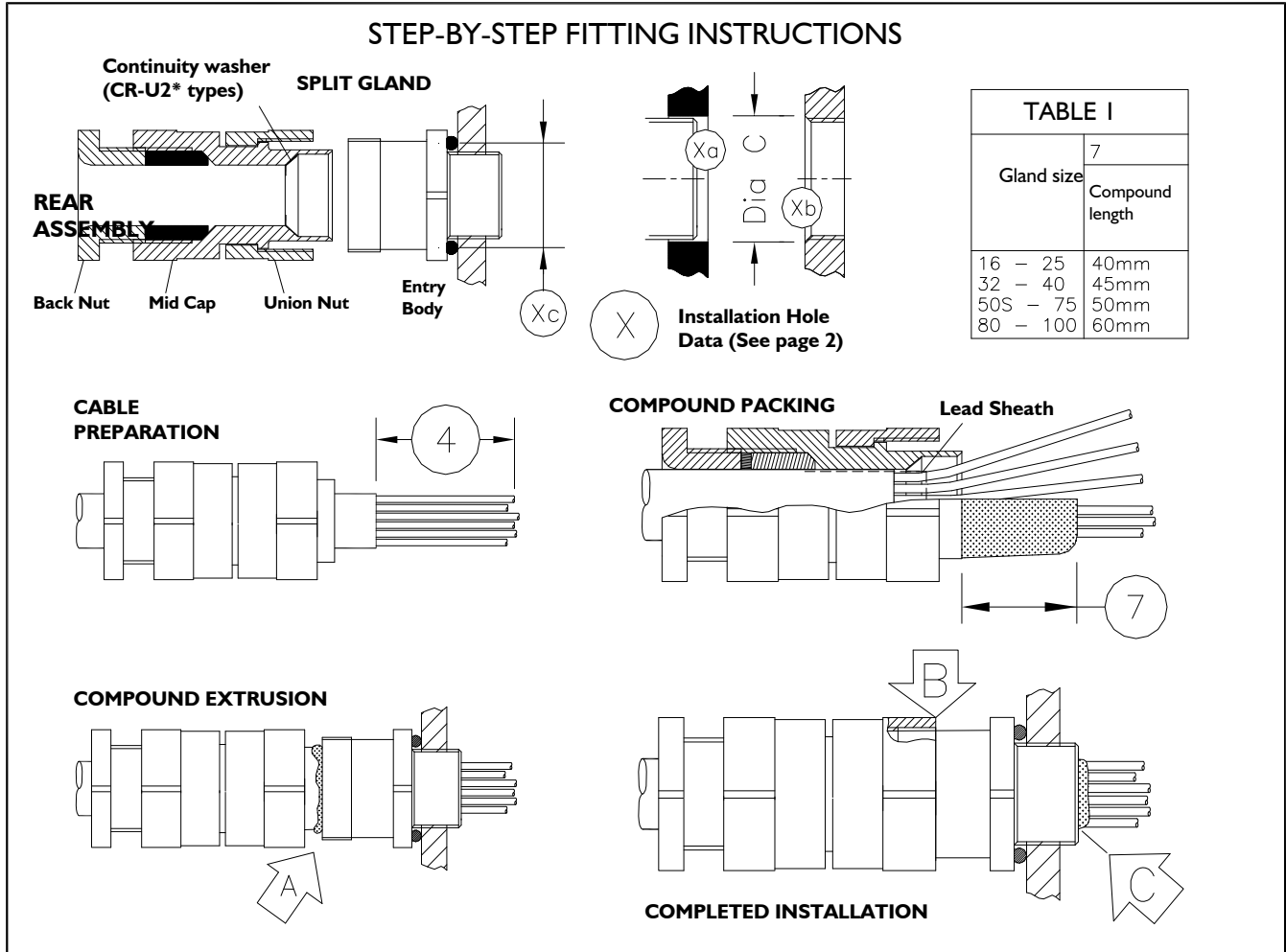
Brief Description

The Peppers CR-U** type Compound-filled cable gland is for outdoor use in the appropriate Hazardous Areas with unarmoured cable of any construction, with or without braids or screens, where the braids or screens pass through the compound. A variant giving electrical continuity to a lead sheath is available. It gives environmental protection to IP68 and Deluge



Warning

PLEASE STUDY CAREFULLY BOTH PAGES OF THESE INSTRUCTIONS BEFORE INSTALLATION. These glands should not be used in any application other than those mentioned here or in our Data Sheets, unless Peppers states in writing that the product is suitable for such application. Peppers can take no responsibility for any damage, injury or other consequential loss caused where the glands are not installed or used according to these instructions. This leaflet is not intended to advise on the selection of cable glands. Further guidance can be found in the standards listed overleaf



STEP-BY-STEP FITTING INSTRUCTIONS

- 1 Split gland as shown
- 2 Fit Entry Body. Hand-tighten, then using wrench tighten a further ½ turn. DO NOT EXCEED MAX TORQUE FOR ENCLOSURE
- 3 Slide Rear Assembly (Back Nut, Mid Cap and Union Nut) onto cable as shown
- 4 **CABLE PREPARATION**
Strip jacket so that cores are fully exposed in the compound chamber, length to suit installation. Lead sheath must be cut to push through the continuity washer. Remove protective foils, and any cords/fillers from around and between the cores. Take care not to cut the insulating sleeves of the cores. Pigtail and sleeve any screens to be passed through compound.

HEALTH AND SAFETY WARNING The resin used in the compound can cause eye and skin irritation. For your personal protection, wear the gloves supplied while mixing and applying. The uncured compound should not be allowed to come into contact with foodstuffs.
A COMPREHENSIVE SAFETY DATA SHEET PROVIDED BY THE COMPOUND MANUFACTURER IS AVAILABLE ON REQUEST

- 5 Check compound has not passed its "Use By" date. Installation at temperatures below 10°C should be avoided.
- 6 Trim any hardened pieces from ends of stick. Mix the compound by rolling, folding and breaking. Ease mixing by cutting large sticks in half. Fully mixed compound has a uniform yellow colour with no streaks.
- 7 Support the cable and Rear Assembly, holding them roughly concentric. Any lead sheath is pushed through the continuity washer. Splay out the cores. Starting at the middle, pack small amounts of rolled-out compound between the cores. Re-straighten each core and work outwards until all gaps are filled. Bundle the cores with cord or tape so they are not disturbed. Pack around the outside of the outer cores to completely fill the Rear Assembly cup. Build up compound around the outside of the cores, with a slight taper & to approximate compound length shown in diagram & Table 1 column 7
- 8 Pass cores through & push compound into Entry Body until Rear Assembly engages. Remove squeezed out compound at arrow A. Screw Union Nut 7 full turns onto Entry Body (arrow B). Ensure that compound emerges at entry thread (arrow C)
- 9 Clean off excess compound from Entry Body to allow withdrawal when cured (arrow C). Cores may be disturbed after 1 hour. Leave to cure

CR-U Compound-Filled Cable Gland - ASSEMBLY INSTRUCTIONS FOR SAFE USE**

for 4 hours when working at 21°C.

10 To release and pull back joint for inspection, unscrew Union Nut.

11 Hand-tighten Union Nut to remake joint. Then refer to table below and tighten Union Nut using wrench to the given amount. Hold Mid Cap with wrench and tighten Back Nut onto cable. Ensure seal makes full contact with cable sheath, then tighten 1 extra turn

12 The equipment should not be energised until the compound has been left to cure for at least 4 hours when working at 21°C. See chart 'Energising Time vs. Temperature' for further guidance

X INSTALLATION HOLE DATA (See below)

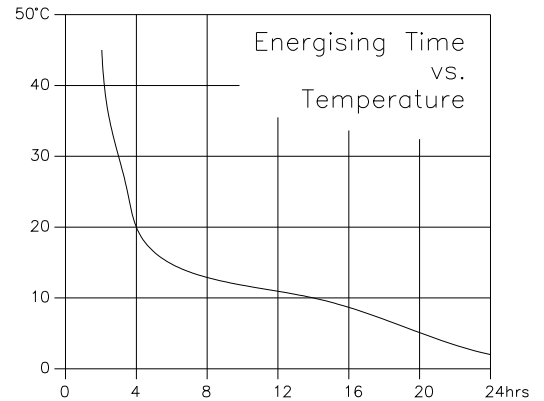
Xa Diameter for clearance holes (NOT Ex d)

Xb Diameter of countersink for threaded holes (Ex d)

Xc Diameter of O-ring seat

Wrench tightening information (Instruction 11), cable sizes (mm) & permitted cores

X Hole data		Gland Size	Tighten using wrench	Max Diameter over Cores	Max No of Cores	Outer Sheath	
Dia Xc	Dia Xa/Xb					Min	Max
22.2	20.5	16	½-turn	8.4	7	3.4	8.4
22.2	20.5	20S	½-turn	10.4	8	4.8	11.7
22.2	20.5	20	½-turn	12.5	14	9.5	14.0
27.9	25.5	25	½-turn	17.8	25	11.7	20.0
35.5	32.5	32	¼-turn	23.5	50	18.1	26.3
43.5	40.5	40	¼-turn	28.8	80	22.6	32.2
53.5	50.5	50S	½-turn	34.2	100	28.2	38.2
53.5	50.5	50	½-turn	39.4	100	33.1	44.1
66.5	63.5	63S	½-turn	44.8	120	39.3	50.1
66.5	63.5	63	½-turn	50.0	120	46.7	56.0
78.5	75.5	75S	½-turn	55.4	140	52.3	62.0
78.5	75.5	75	½-turn	60.8	140	58.0	68.0
83.5	80.5	80	½-turn	64.4	160	61.9	72.0
88.5	85.5	85	¾-turn	69.8	180	69.1	78.0
93.5	90.5	90	¾-turn	75.1	200	74.1	84.0
103.5	100.5	100	¾-turn	80.5	220	81.8	90.0



Installation Guidance

Point	Advice
1	<ul style="list-style-type: none"> BS EN 60079-10 Classification of Hazardous Areas BS EN 60079-14 Electrical Installations in hazardous areas (other than mines) BS 6121, Part 5 Selection, Installation and Maintenance of Cable Glands IEC 61241-0:2004 and IEC 61241-1:2004 Ignitable dust – Protection by enclosure
2	Installation should only be carried out by a competent electrician, skilled in cable gland installation.
3	NO INSTALLATION SHOULD BE CARRIED OUT UNDER LIVE CONDITIONS.
4	To maintain Ingress Protection ratings above IP54, use IP washers or O-rings for parallel threads. For taper threads use thread sealant. Also see page 1 diagram and Hole Data above.
5	To ensure the stated IP rating is maintained, at the point of interface the surface of the enclosure should be flat, free from debris and rigid with the hole drilled straight and to an appropriate diameter.
6	Where an earth contact is required the surface of the enclosure should be sufficiently flat and rigid. With painted enclosures a serrated star washer should be fitted to break through the paint and make a satisfactory earth contact.
7	Once installed do not dismantle except for occasional inspection. The gland is not serviceable and spare parts are not supplied.
8	Parts are not interchangeable with any other design. If manufacturers' parts are mixed, certification will be invalidated.

Limitations on Usage. Be sure your installation complies with the following:-

Feature	Comment
Enclosure entry thread	The female thread in the enclosure must comply with clause 5.3 of IEC/EN 60079-1. Do not damage threads on assembly. Check that the number of fully engaged threads is at least 5.

Interpretation of Markings. Markings on the outside of this gland carry the following meanings:

Cable Gland Type & Size CR-U-2-a-bbb-ccc-IP68-nn

2 = Continuity washer option for lead sheathed cable
a = Main component material B = brass S = stainless steel
bbb = Gland size IP68 = Ingress Protection code
ccc = Entry thread type and size nn = year of manufacture

Protection Concept and Gas Groups; Ex d I & IIC / Ex tD A21 IP68 / Ex nR II: Ex d = Flameproof; I = suitable for Gas Group I (methane) ignitable gas/air mixtures; IIC = suitable for Gas Group IIC (e.g. hydrogen) ignitable gas/air mixtures and also Groups IIB and IIA; Ex tD = Ignitable dust protection by enclosure; Ex nR = Restricted Breathing

Certificate Numbers (ATEX) **SIRA 03ATEX1479X** **SIRA 09ATEX1221X**
(IEC) **IECEX SIR 07.0098X**

ATEX (EU Directive 94/9/EC) Markings I M2 II 2 GD II 3 GD

ATEX Special Conditions for Safe Use

(1) These glands must not be used with enclosures where the temperature at the point of mounting exceeds -60°C to +85°C

IEC Ex Conditions of Certification

(1) These glands must not be used with enclosures where the temperature at the point of mounting exceeds -20°C to +85°C
(2) The interfaces between the male thread of the products and an associated enclosure cannot be defined. Therefore it is the user's responsibility to ensure that the appropriate Ingress Protection level is maintained at these interfaces